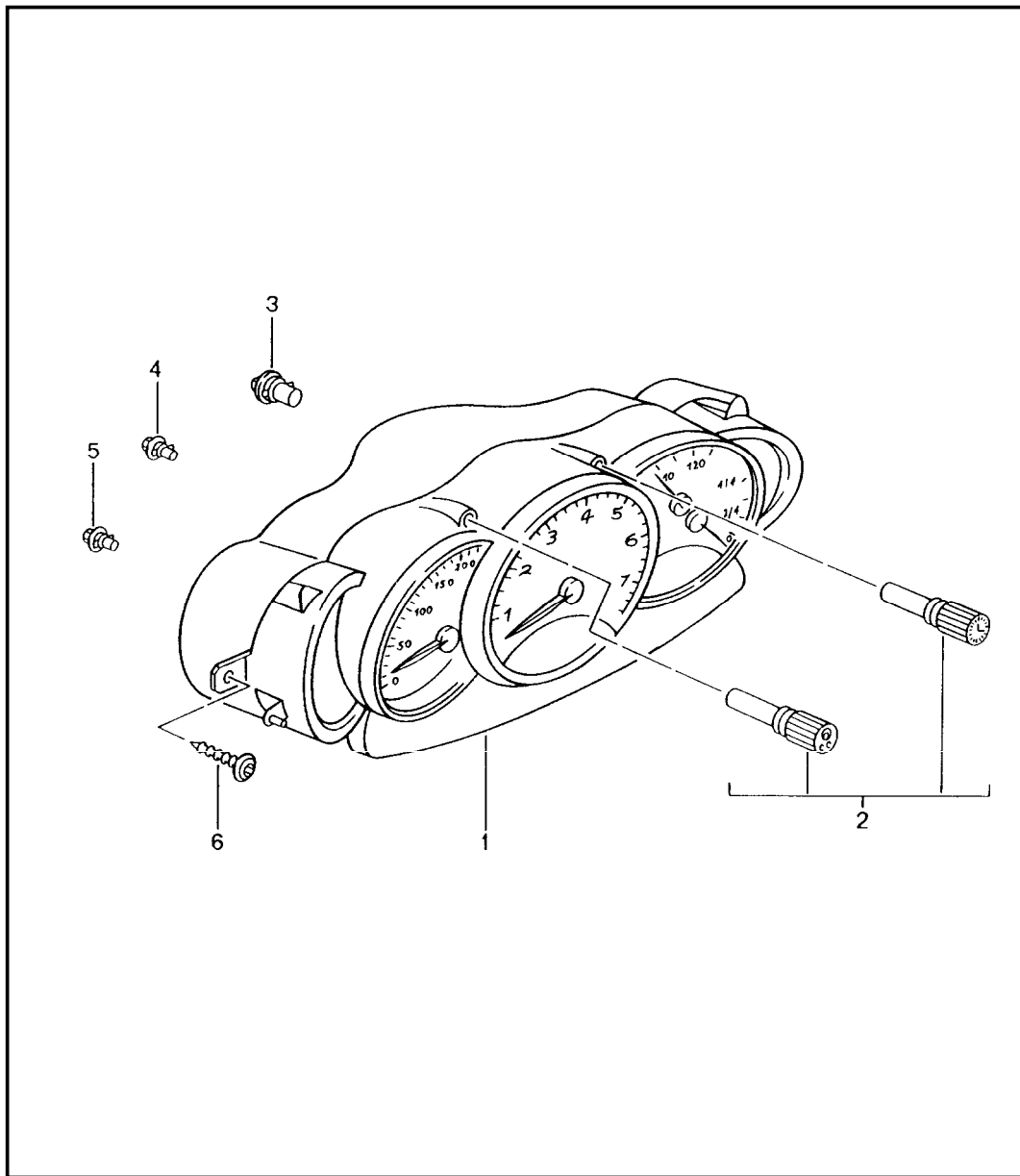


Model	Year	MG	SG	Illustration	Restrictions	UPD	18:50	10.07.2021	PORSCHE	PET	PORSCHE
986	1997	9	06	906-001		617					



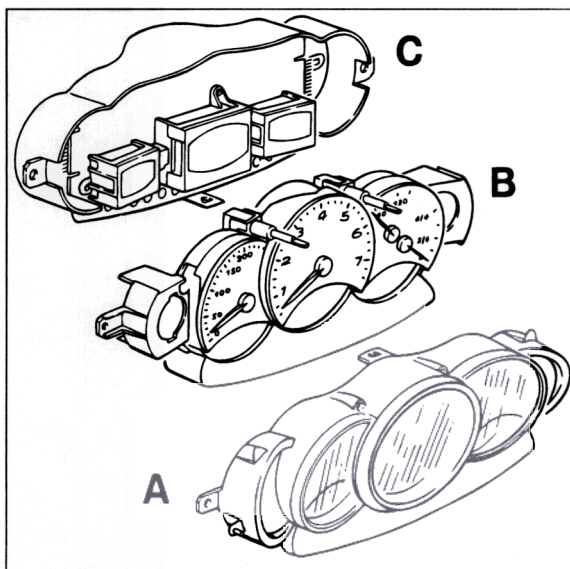
Pos	Part Number	Description	Remark	Qty	Model
		Combi-instrument (complete)			
(2)	996 641 911 00	Button for trip counter reset throttle control element Setting knob for daily distance recorder (kilometres or miles) and clock for instrument housing		1	
(3)	999 631 304 90	Glass-base bulb 12 V 3 W D >> - MJ 2000		X	
(4)	999 631 303 90	Glass-base bulb 12 V 1,5 W D >> - MJ 2000		X	
(5)	999 631 302 90	Glass-base bulb 12 V 1,2 W D >> - MJ 2000		X	
(6)	999 919 119 09	fillister hd. bolt 5,0 X 22		2	
(6)	999 919 188 09	fillister hd. bolt 5,0 X 30		2	
-	999 920 012 40	Plug-in nut 5,0 X 3,5 X 8		2	

90 25 37 Disassembling and assembling instrument cluster

Note

The instrument cluster can be disassembled into three components.

- A - Front frame
- B - Display unit
- C - Electronic unit

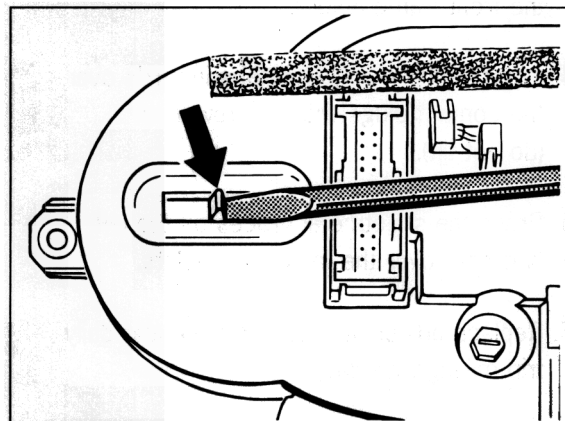


486_98

The instrument cluster must be laid on a soft, dust-free surface to open it. When the instrument cluster is open, no dial or solder joints on the display unit and electronic unit should be damaged or touched.

Opening instrument cluster

1. Remove adjusting knob for clock and daily trip mileage display.
2. Remove sheetmetal braces from the fastening eyelets on the left and right.
3. Release the electronic unit on both sides with a screwdriver (do not tilt).



487_98

4. Unclip the electronic unit at the bottom centre. The released green guide tabs are held outwards with a screwdriver. The electronic unit is taken up off of the display unit evenly on alternate sides.
5. Remove fastening clips (new version) on the indicator light housing and carefully remove the display unit from the front frame.

Assembling instrument cluster

1. Carefully assemble display unit and front frame. Engage fastening clips (new version).
2. Before assembly, check that both green guide tabs on the electronic unit are pushed outwards.
3. Assemble the electronic unit and display unit carefully and evenly (do not tilt). Engage fastening clip underneath in the centre. Press the locking tab in the upper part of the electronic unit together and into the front frame holder.
4. Press both green guide tabs inwards over the contact plugs with a screwdriver (do not tilt).
5. Press the sheetmetal braces on the left and right over the fastening eyelets.
6. Replace adjusting knob for clock and daily trip mileage display.

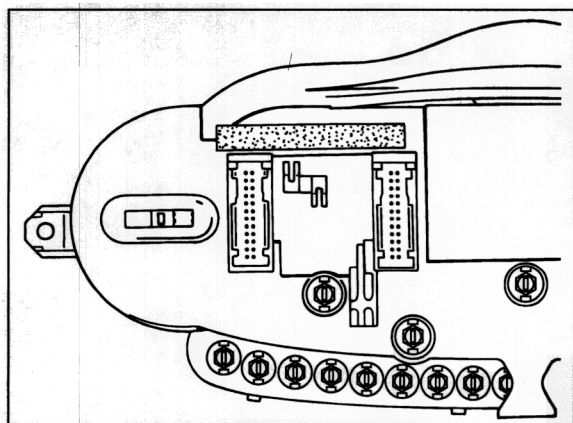
96 30 19 Removing and installing bulb for instrument cluster

Removal

Note

1.2 and 1.5 watt bulbs can be removed and installed without opening the rear side of the instrument cluster.

1. Remove and install instrument cluster (refer to Service No. 90 25 19).
2. Detach bulb socket using a small screwdriver (bayonet lock).



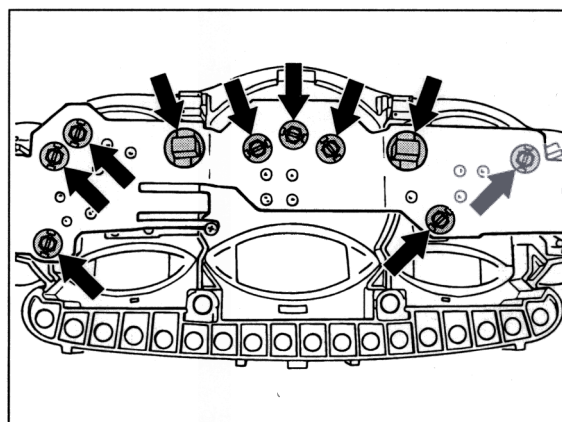
109_98

3. Remove defective bulb. The bulb socket and bulb comprise one spare part.

Note

The inner 1.2 and 1.5 watt bulbs can be removed and installed in the same order as on the display unit with the instrument cluster open.

Disassemble and assemble instrument cluster (refer to Service No. 90 25 37).



343_98

Installation

1. Install new bulb (bayonet lock).
2. Install instrument cluster and perform a function test.

96 22 Bulb table and installation instructions

Bulb table

	Base	Shape, Output
Interior light, Additional brake light	W 2.1 x 9.5 D	W 5 W
Luggage compartment light	SV 8.5	K 10 W
Bulbs for instrument cluster	EBS-P/4-A EBS-P/4-A	1.5 W 1.2 W

Installing bulbs

Only bulbs specified in the bulb table may be used. Bulbs with a higher wattage may cause damage to the bulb housing.

To prevent short circuits, the loads in question must be switched off while bulbs are changed.

New bulbs must be clean and free of grease. Therefore, never touch bulbs with your bare hands.

Use a cloth or soft paper for changing bulbs.

986310, 986311, 986320, 986321, 986330, 986331