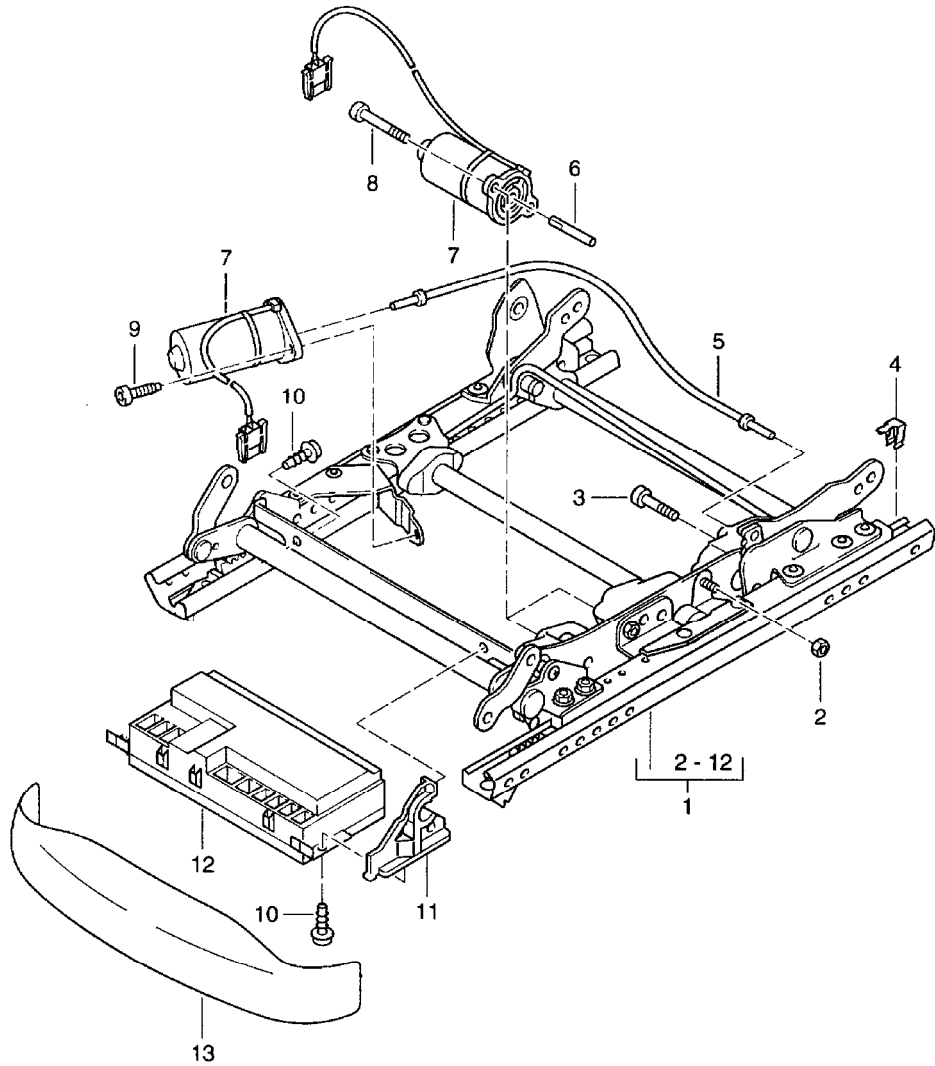


Model	Year	MG	SG	Illustration	Restrictions	UPD	9:25	24.08.201	PORSCHE	PET	PORSCHE
996T	2003	8	17	817-19		374					



Pos	Part Number	Description	Remark	Qty	Model
		seat adjuster comfort seat			TURBO/GT2
1	996 521 401 02	seat adjuster complete	/RL	1	M437
(1)	996 521 402 02	seat adjuster complete	/LL	1	M438
(1)	996 521 401 07	seat adjuster	/LL	1	M437/537
(1)	996 521 402 07	seat adjuster complete	/RL	1	M438/538
2	999 084 451 02	hexagon nut M 5		4	
3	999 073 144 02	pan-head screw M 5 X 39,3		4	
5	996 521 609 00	drive shaft rear vertical adjustment		2	
6	996 521 611 00	shaft		4	
7	996 624 322 00	engine		X	M437/438
(7)	996 624 332 00	engine seating position control		X	M537/538
8	999 073 147 02	pan-head screw M 5 X 58		8	M437/438
9	999 073 148 02	oval-head screw M 5 X 14		4	M437/438
10	999 073 145 02	oval-head screw M 5,0 X 12		X	
11	996 618 547 00	support control unit		4	M537/538
(12)	996 618 537 01	control unit	01	2	M537/538
(12)	996 618 537 03	control unit	-05	2	M537/538
13	996 521 317 00	cover control unit seating position control		2	M437/438 M537/538
		01C Black			