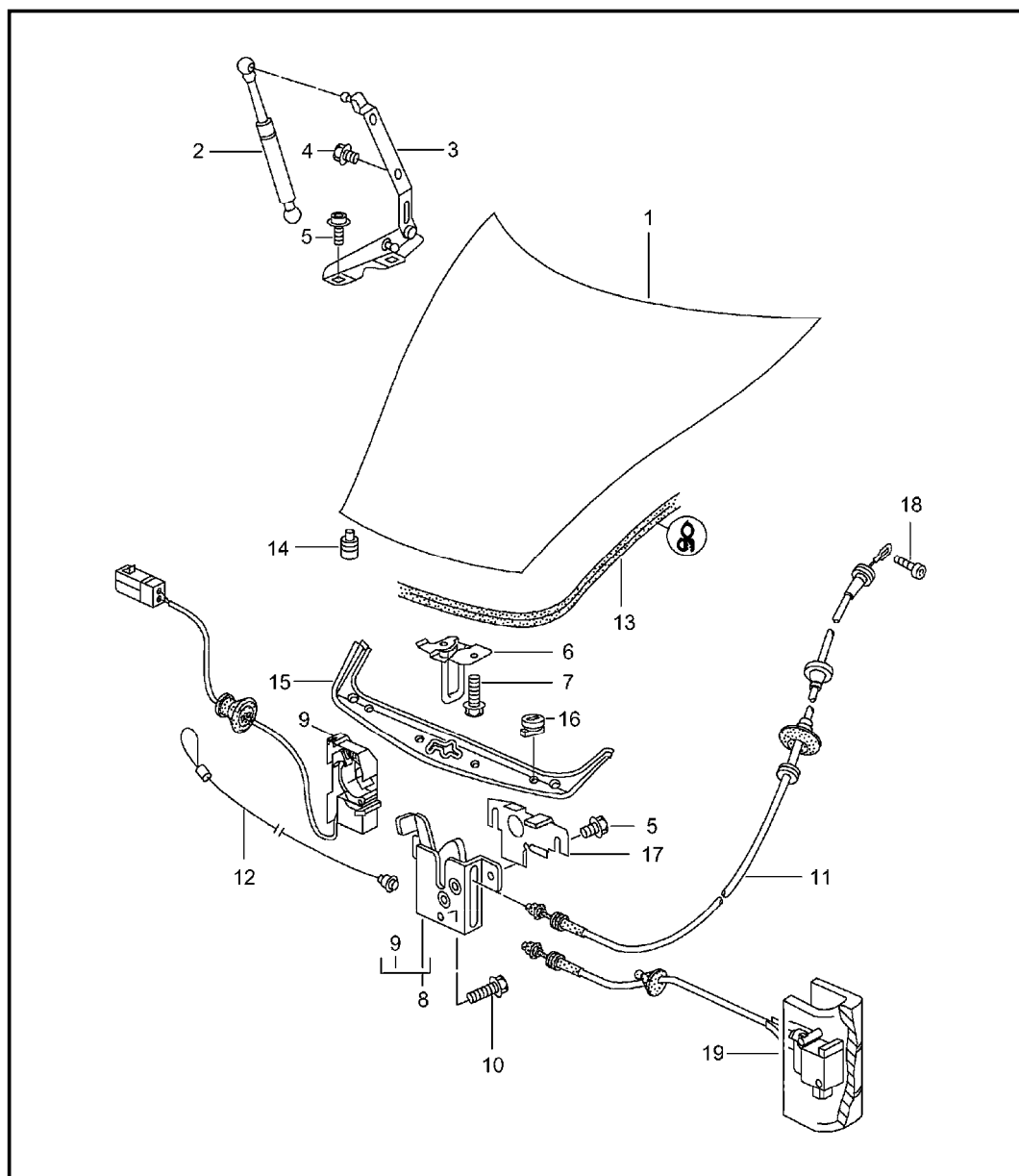


Model	Year	MG	SG	Illustration	Restrictions	UPD	11:10	21.02.201	PORSCHE	PET	PORSCHE
996	2003	8	03	803-00		386					



Pos	Part Number	Description	Remark	Qty	Model
1	996 511 011 02	Lid Front		1	
	GRV	Prime coated			
		Use also:			
-	000 043 204 38	Sealing material		1	
2	996 511 551 01	Gas-pressure spring		2	
3	996 511 151 01	Hinge	/L	1	
(3)	996 511 152 01	Hinge	/R	1	
4	900 378 036 09	Hexagon-head bolt M 6 X 12		4	
5	900 075 466 09	Combination screw M 6 X 16		6	
6	996 511 051 02	Lock upper part		1	
7	900 378 173 09	Hexagon-head bolt M 6 X 20		2	
8	996 511 053 02	Lock lower part		1	
9	996 613 206 00	Microswitch		1	
10	900 075 347 02	Screw M 6 X 28		1	
11	996 511 017 01	Lid-release cable	/LL	-00	1
(11)	996 511 018 00	Lid-release cable	/RL	-00	1
12	996 511 521 00	Emergency operation		1	
13	996 511 611 00	Gasket		1	
14	999 703 140 40	Rubber buffer		2	
15	996 504 811 00	Trim cover	-01	1	
	01C	Satin black			
15	996 504 811 02	Trim cover	02-	1	
	01C	Satin black			
16	999 590 036 40	Cap nut		4	
	01C	Satin black			
17	996 511 653 00	Cover		1	

Model	Year	MG	SG	Illustration	Restrictions	UPD	11:10	21.02.201	PORSCHE	PET	PORSCHE
996	2003	8	03	803-00		386					

Pos	Part Number	Description	Remark	Qty	Model	Pos	Part Number	Description	Remark	Qty	Model
18	900 119 121 09	Pan-head screw M 4 X 14		1							
19	996 511 127 00	Actuator	01-	1							